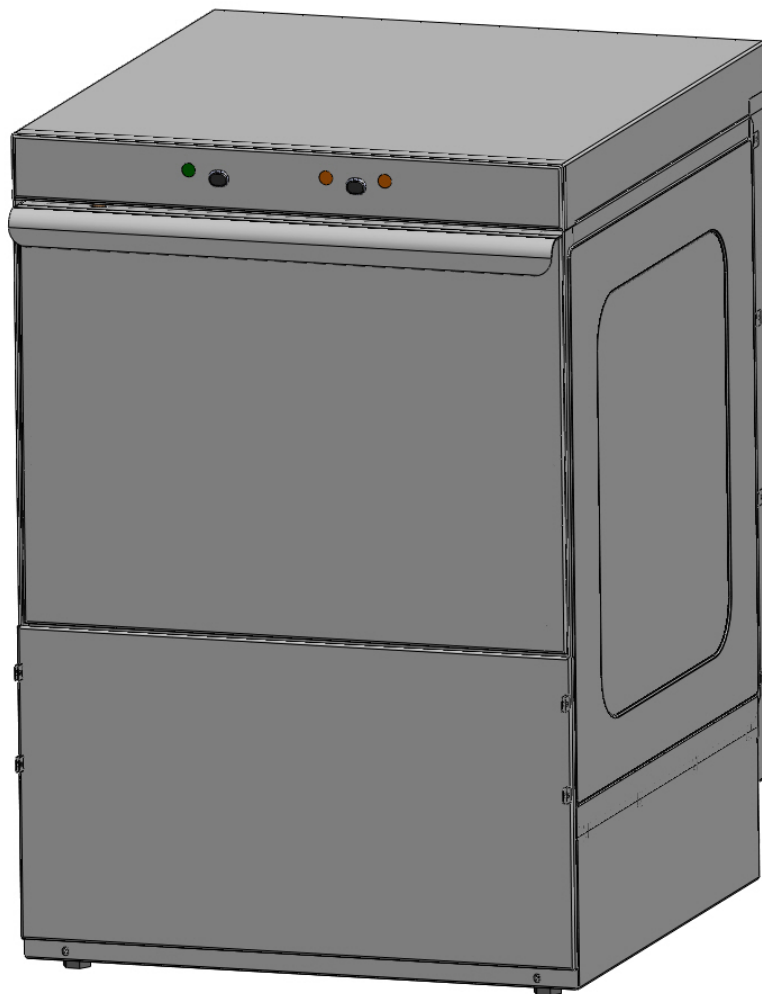


DISHWASHER

801005, 801006, 801007 - power source 400V

801015, 801016, 801017 - power source 230V



Copying of the following user manual without the consent of the manufacturer is prohibited. Images and drawings are for illustrative purpose only and may differ from the purchased product.

ATTENTION: This manual should be kept in a safe place accessible for personnel. The manufacturer reserves the right to change the technical characteristics of the product without any notice.

1. SAFETY INSTRUCTIONS

- Caution! If this machine was damaged in transport it should not be connected to electricity!
- Incorrect maintenance and/or use may cause serious harm to people and damage the machine
- The machine can only be used for the purpose for which it has been designed.
- The manufacturer does not take any responsibility for damages caused by improper maintenance or use of the machine.
- When in use, secure the machine and its electrical plug from any contact with water or other liquids. In case the machine is accidentally flooded the electrical plug should be immediately removed from the socket and the machine should be inspected by a trained professional.

Failure to obey these instructions may cause life threatening danger.

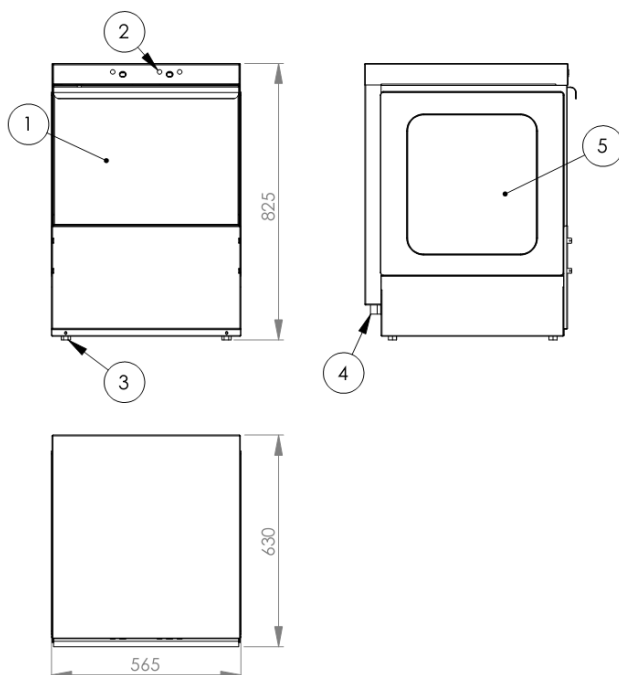
- Never open the casing of the machine yourself.
 - Do not stick any objects into the casing of the machine.
 - Do not touch the electrical cord plug with wet hands.
 - Check the condition of the electrical plug and cord regularly. In case any damage to the plug or cord is discovered order repair by a specialized repair service.
 - Never install and use a damaged machine. If your machine is damaged contact specialized repair service.
 - Do not make any attempts to repair the machine yourself– this may cause life threatening danger.
 - Any attempts to modify or repair the machine by unauthorized, untrained staff are prohibited.
 - Protect the electrical cord from contact with sharp or hot objects and keep it away from open fire. When disconnecting your machine from the mains electrical supply always pull the plug.
 - Secure the electrical cord (or the extension cord), so that it is not unplugged by mistake and so that no one can stumble over it.
 - If the electrical cord is damaged it should be replaced. The integrated power cord may be replaced at specialized service centres or by qualified electrician.
 - Monitor machine functioning while in use.
 - Use of the machine by people underage, physically or mentally incapable, with motion disorders as well as people without proper experience and knowledge regarding the use of this device is not allowed. All of the above should only use the device under supervision of a person responsible for their health and safety.
 - When machine is not in operation or during machine maintenance you should always unplug the machine from the source of electricity by removing the electrical plug from the socket.
- CAUTION:** when the electrical plug is plugged into the socket the device is constantly voltage live.
- Switch the machine off before removing the plug from the socket.
 - Never pull the machine by the electrical cord.

2. MACHINE INTENDED USE

This dishwasher is designed for professional use only and should be operated by trained personnel. The machine is for washing dishes (plates, bowls, cups, cutlery, trays etc.) and other similar objects used in catering and similar trades, in accordance with international regulations and norms regarding safety, mechanics (CEI-EN-IEC 60335-2-58/61770) and electromagnetic compatibility (CEI-IEC_EN 55014-1/-2, 61000-3;4, 50366).

3. TECHNICAL SPECIFICATION

Model	801005, 801006, 801007	801015, 801016, 801017
Dimensions (WxDxH)	565x630x825 mm	565x630x825 mm
Power supply	400V/3+N	230V/I
Frequency	50 Hz	50 Hz
Max. power usage	4900 W	3900 W
Water supply pressure	200-400 kPa	200-400 kPa
Temperature of the supplied water	10-55 °C	10-55 °C
Supplied water hardness	7-12 dF	7-12 dF
Water usage	2.5l per cycle	2.5 per cycle
Boiler capacity	5.5l	5.5l
Container capacity	26l	26l
standard cycle duration for supplied water temperature at 50C	120 seconds	120 seconds
Noise level	64 dB (A)	64 dB (A)
Safety	IP24	IP24
Net weight	58 kg	58 kg
Type of power supply cord	H07RN-F	H07RN-F
Wash water temperature	60-65°C (140-149°F)	60-65°C (140-149°F)
Rinse water temperature	82-90°C (181-194°F)	82-90 C (181-194°F)



- 1 – washer door
- 2 – control panel
- 3 – adjustable footing
- 4 – water inlet
- 5 – housing

4. BUTTONS AND CONTROL LAMPS

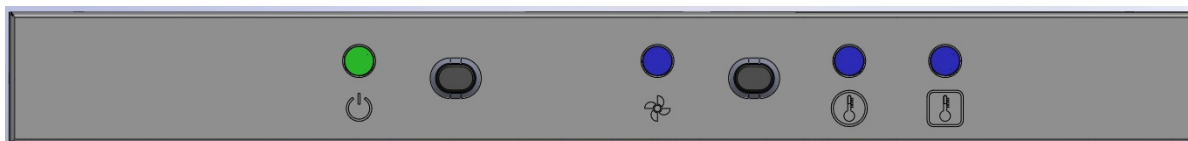


Fig 1

	<p>Włącz/Wyłącz</p>		<p>Lampka kontrolna pracy grzałki bojlera</p>
	<p>Cykl mycia</p>		<p>Lampka kontrolna pracy grzałki komory</p>

Fig 1

5. INSTALLATION

I. Connecting to the power supply

Connecting the machine to a source of electricity must be carried out in accordance with local and national regulations, and by qualified electrician. Electrical parameters of the machine are listed in point 3 of this manual. It is not allowed for one electrical safety fuse to be used for two devices. Installation of a main switch and a residual-current device is required. Both of the above are to be installed in a easily and quickly accessible place in such a way, that they will guarantee the possibility to disconnect the machine from the source of electricity according to the current safety regulations .



The machine is fully disconnected from the source of electricity only if the main switch is set to OFF position. The machine must be connected with the use of a connector placed in the bottom-rear part of the device. Protective earth (PE) connector is marked yellow-green, neutral connector (N) is marked blue and phase connectors (L1, L2, L3) are marked with black, grey and brown respectively.

II. Connecting the device to a water supply and sewage system

Water inlet hose and electricity supply cord are located in the back of the machine. The water supply hose should be connected to the 3/4" outlet. Use new hoses to connect the machine. For safety purposes the value of water pressure should be maintained within the level of 2-4 bar. In case water pressure is higher make sure to install a pressure regulator. Main valve should be installed above the supply pipe. Main valve should be installed in an accessible place; therefore it should not be installed behind the machine. Duration of the cycle is provided for water temperature equal 50°C. In case the machine is connected to cold water cycle duration will extend, as the device is equipped with a pressure rinsing system which requires constant temperature.

III. Drain

The dishwasher is equipped with a drain pipe, which is to be installed at floor level with the use of a deaerator.



Before commissioning the machine make sure that the supply and drain pipes are not bent, blocked or damaged in any other way during the process of installation.

IV. Positioning the machine

2. The machine is to be carried into the place of installation, unpacked and contents of the packaging should be verified. In case of any damage to the machine or its elements the shipping company should be notified immediately. All materials used for packaging are environment friendly and must be stored safely in a proper place. Elements meant for recycling are marked as follows:

- PE – polyethylene; external packaging, instruction manual cover, safety elements of the packaging
- PP – polypropylene; handles
- PS – polystyrene foam; edge guards, lid
- Wooden and cardboard elements of the machine should be left in designated places in accordance with current regulation.

Do not dispose the machine or its elements directly to the natural environment. The device is manufactured of stainless steel and metal elements, which may be easily disassembled. Plastic elements of the device are marked with proper symbols.



Connections of the machine must meet requirements of current norms in the place of installation. Before installing the machine make sure, that the elements sensitive to humidity are protected against moisture e.g. when the machine is being washed.

Remove all outer packaging and the protective film from your machine before positioning.

Ensure there is a clearance each side of the machine to allow slight sideways movement for servicing.

Ensure the surface your machine is going to be installed on is stable and capable of supporting it during normal operations. Once installed use the adjustable feet to ensure your machine is stable, with its weight being distributed equally and does not tilt. Level the machine using a level tool. Any other means of machine leveling should be approved by the manufacturer.

V. Machine first start-up



Before first use of the dishwasher make sure the electrical safety system is working correctly. This, and first machine commissioning, must be performed only by employees of the technical service, who should also provide a short training on functioning of the machine. Each machine is equipped with rinse detergent pump. Wash detergent pump is available on chosen dishwasher models. Containers with wash and rinse detergents should be set in place and connected with PVC hoses: transparent for washing detergent and transparent/blue for rinse detergent. In order to calibrate detergent pumps use the screws as seen on Fig 2 and Fig 4. It is recommended that the calibration is performed by the personnel of the detergent supplier. Before connecting PVC hoses attach weights (in order to keep hoses at the bottom of the detergent containers) and install filters. (Fig 5).

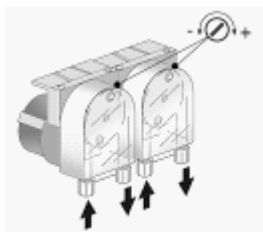


Fig 2

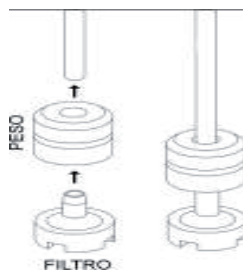


Fig 3

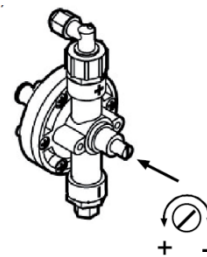


Fig 4

In case when the pumps for both detergents are not installed in your purchased dishwasher model, it may be done later with the use of a proper set of tools. Alternatively external wash detergent pump may be connected through an electric connector using 2x0.5mm H07 RN-F connector. The cable should be connected through an opening indicated on the technical specification scheme in accordance with electrical parameters of the machine and any current legal regulations. Specification of the wash detergent pump: 230V/50Hz, 15W. The wash detergent pump should be connected to the machine using the transparent hose.

6. HEALTH AND SAFETY RULES

In order to prevent burns or electric shock follow the safety rules below:

- Train your personnel to use this machine in accordance with all the information included in this user manual,
- Train your personnel on basic rules regarding use of electrical devices, health and safety in the workplace and first aid in case of emergency,
- Before any maintenance disconnect the machine from the source of electricity,
- Do not switch on the machine when any of the heating or control elements are damaged,
- **Do not wash the machine with running water,**
- Any repairs of the device may only be carried out by qualified technical personnel (technical service)

The manufacturer bears no responsibility for any damages or injuries resulting from disobeying the recommendations included in this instruction manual, improper use of the machine, application of aftermarket spare parts or unauthorized repair attempts.

- The machine should be connected to earthed electrical supply in accordance to current norms and regulations in the place of installation.
- The machine complies with the norms resulting from 2002/96/EC European Union Directive. Proper storage of the device is an element of natural environment protection.



Do not add any solvents to the washing machine including e.g. alcohol or turpentine as they might cause an explosion. Also, do not put any dishes with remains of food into the washer.

The dishwasher and its elements cannot be used as a stepping ladder or support for any other devices or objects.



Do not sit or lean on the open door of the dishwasher as this may cause an accident. In order to avoid the situation above always close the machine door.



Water used in the washing process is not suitable for drinking.






The power cord should be not detachable and it should be flexible, with an oil resistant coating of at least the same grade as regular cables in polychloroprene coating – code 60745 IEC 57.

7. OPERATING THE MACHINE

I. Steps to be carried out before using the machine to wash dishes

- Make sure you use detergents and rinse aids developed for commercial glasswashers and dishwashers
- Do not use detergents meant for hand washing. Use only professional products designed for this type of machine.

⚠ When filling the containers with detergents be careful not to switch the machine on, as this may cause machine damage or failure. Do not mix different washing chemicals, as this may cause damage to the detergent pump. Chemicals may cause skin irritation. When handling chemicals, observe all safety notes and dosing recommendations printed on their packaging. Wear protective clothing, protective gloves and protective goggles when handling chemicals.

Open the valve	Check:		Turn on the main switch.
	Detergent levels in the containers.	If the filters are installed properly, if the arm is rotating properly, that nothing is blocking the water flow through the machine (look for any foreign objects inside the device, which may obstruct water flow)	
			

II. Loading the dishwasher

1. Plates

The basket fits 12 deep plates or 18 flat plates. Rinse plates of any food debris before placing them into the dishwasher. Plates with dried remains of cheese, eggs etc. should be left in cold water to soak before washing.

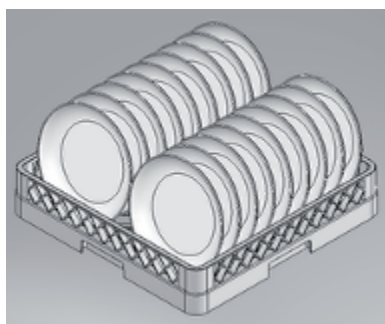


Fig 6

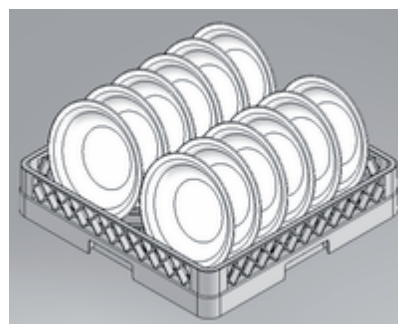


Fig 7

2. Glasses

Remove any residue etc. from glasses. Place glasses downwards in the basket.

3. Cutlery

Use the cutlery basket. It is recommended that cutlery is placed in the basket with handles pointing down. Be careful not to cut yourself on forks and knives.

III. Starting up the machine

Switch the wall plug on, open the dishwasher door, place the overflow plug in its designated place (Fig.8) and close the door. Press the ON/OFF (Fig.9) button. After filling the tank and boiler with water boiler heater indicator light will switch on (Fig. 10). Place the basket into the machine chamber and wait for the heating indicator light to switch off. In order to initiate washing cycle press the button (Fig. 11). The indicator light will switch on. In case the door is opened during the cycle the program will stop automatically and the cycle light will start flashing. If the door is closed for no longer than 10 seconds (while the light is flashing) the program will continue the cycle. If the door

will stay open for longer than 10 seconds and the cycle light will stop flashing, in order to start the washing cycle it is necessary to press the button again (Fig.11).

When the washing cycle is finished the cycle control indicator light will switch off and the heating indicator light will switch on. Remove the basked from the machine. Then reload the machine and repeat as required.

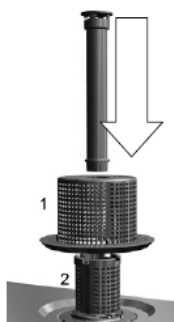


Fig 8



Fig 9

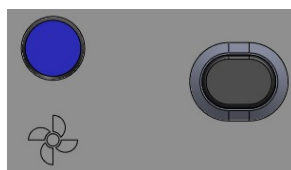


Fig 10



Fig 11


8. EMPTYING THE TANK AT THE END OF THE WORKING DAY

1. Emptying the tank in the models equipped with a drain pump

Switched off the machine by pressing the ON/OFF button (Fig. 9). Open the door, remove the overflow plug and close the door. The process of emptying the machine will begin automatically until the tank is completely drained. In order to reactivate the machine replace the overflow plug, close the door and press on the ON/OFF button. If the machine will not to be used further switch the machine off using the main power switch.

2. Emptying the tank in the models without a drain pump

Switched off the machine by pressing the ON/OFF button (Fig. 9). Open the door, remove the overflow plug (FIG. 8) and wait for the water to flow out of the tank completely. Replace the overflow plug and close the door.

 Do not switch the machine off with water still in the tank. Before switching the machine off make sure the tank is empty. When the machine operation is finished, and alternatively when a regeneration cycle is finished, switch the machine off using the ON/OFF switch. Now turn off the mains water and main electricity switch.

PROBLEM	CAUSE	SOLUTION
Indicator light does not turn on	Lack of power	Check the connection to electrical network
Washing program does not begin	The machine is not ready to begin the program	Wait until the heating indicator is on
Improper washing	Blocked nozzles	Dismantle and clean the nozzles
	Wash detergent level is too low or unsuitable wash detergent is used	Check if the wash detergent used is meant for use with this particular machine, check level of the wash detergent
	Improper setting of plates and glasses inside the washer	Set the plates properly
	Low washing temperature	Check the temperature value on the display. If the value is lower than 50°C contact technical service
Improper rinsing	Blocked nozzles	Check the nozzles and check the water softener (if

	Calcium residue on the boiler	included)
Stains on glass and cutlery	not enough rinse detergent or improper rinsing fluid used	Check if the used chemical is meant to be used with your washer and checkrinse detergent level. If the problem continues contact the technical service
	Hard water (above 12dF or too much dissolved salt in the water)	
<i>Water remains in the tank regardless of the draining attempts</i>	<i>The drain pipe is incorrectly intalled or blocked</i>	Check if the drain pipe and the drain hole are not blocked and check if the drain hole is not located too high.

9. MACHINE MAINTENANCE

Before beginning any maintenance disconnect the machine from the electrical supply.

Everyday maintenance includes removing any residue from the heating plate and washing it with the use of cloth and washing agent and wiping it dry. Washing the machine with running water or with the use of pressure washers is prohibited.

In case of intense dishwasher use clean filters every 30-40 washing cycles, in order to ensure proper machine operation. For this purpose partially empty the tank.

Remove the filters (Fig.9) carefully, so that greasy residue and food remains do not fall into the filter container. Clean the filters and rinse them well. Do not use any sharp tools or edges to clean the filters.

Make sure that any calcium build-up residue is also removed, as it helps to stop from blocking the filters.

Surface of the filters should be carefully cleaned with a damp cloth and with neutral detergent (non-corrosive) Do not use cleaning agents that contain chlorine, bleach or hypochlorite.

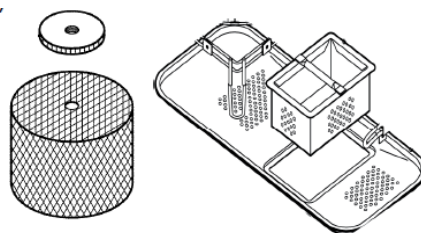


Fig 9

Please, check once a month:

- If the electrical connection is not damaged
- If the power cord is not damaged
- If all elements of the device function properly
- Unscrew (4) and remove the top and bottom nozzles (FIG 13). Unscrew the cap (7) on both ends of the nozzles.

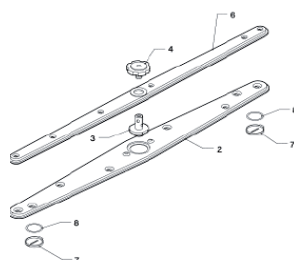


Fig 10

In order to prevent from corrosion stains on the stainless steel dishwasher housing avoid using any chlorine-containing detergents. While cleaning do not use steel wool, wire brushes or any other abrasive materials.

- Wash external surface of the device using soap and a damp cloth, rinse it and wipe it dry. Once every year the machine should be serviced in order to assess the level of use and find any possible flaws in its elements. In order any damage is discovered, qualified technical personnel is required to perform the repair. Technical service should carefully review:

- The state of heating elements
- The state of safety elements which protect heating elements
- Dishwasher state of usage
- Quality of insulation

Although there is no specific periodical service program for this particular machine it is advised that the device and its protective elements are checked by a technical service twice a year. Any damage or fault of the machine resulting from disobeying the recommendations of this manual, as well as any current legal regulations and norms will not be considered the manufacturers responsibility.

10. PERIODS OF NON-USE

In case the machine is to remain unused for extended period of time it is necessary to empty all containers with chemicals in order to avoid crystallization and possible damage to the pump. For this purpose unplug the PCV hoses and place both containers in a bowl of pure water. Carry out several washing cycles and empty the water tank.

Finally, switch the machine off using the main switch and close the water supply valve. Connect PCV hoses to the containers with detergents only when the device is to be used again.

Do not leave the machine switched on and the water supply valve open during periods of non-use.

11. MACHINE LOADING, PACKAGING AND TRANSPORTATION

This dishwasher is packed in accordance with the current norms. Loading, unloading and carrying of the machine should be carried out with the use of suitable lifting machinery and trolleys. Transportation should be carried out with the use of covered means of transport and the machine should be protected from sliding, shock and mechanical damage.

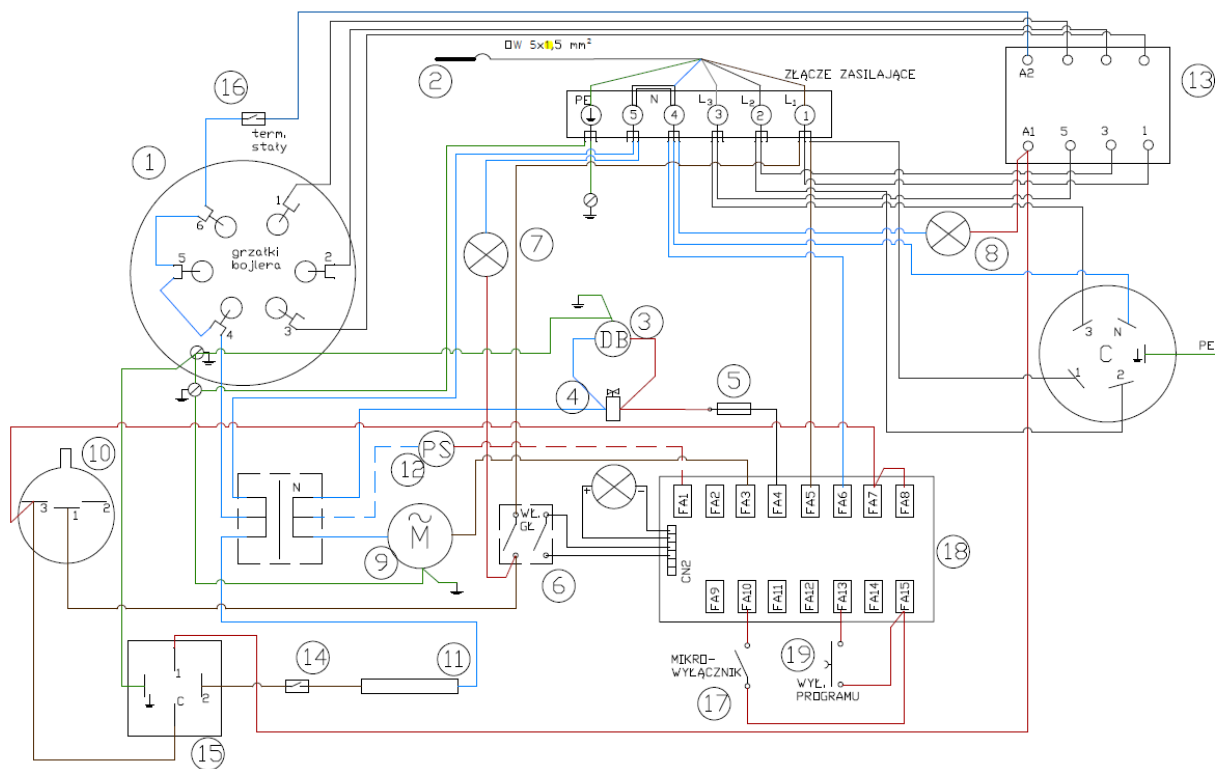
12. SPARE PARTS

No.	Part name	Index	801005	801006	801007	801015	801016	801017
1	Boiler 3500 W	M72001	-	-	-	1	1	1
2	Boiler 4500 W	M72081	1	1	1	-	-	-
3	Power cord 230V	M90076	-	-	-	1	1	1
4	Power cord 400V	M70564	1	1	1	-	-	-
5	Rinse detergent pump	M72008	1	1	1	1	1	1
6	Two-Solenoid valve	M72009	1	1	1	1	1	1
7	Fuse housing 4A	M72051	1	1	1	1	1	1
8	Switch	M72028	1	1	1	1	1	1
9	Program switch	M72055	1	1	1	1	1	1
10	Limit switch	M38088	1	1	1	1	1	1
11	Power indicator	M72096	1	1	1	1	1	1
12	Washing cycle indicator	M72097	1	1	1	1	1	1
13	Boiler, chamber indicator	M72098	2	2	2	2	2	2
14	Dishwasher pump 400 W	M72050	1	1	1	1	1	1
15	Pressure switch	M72054	1	1	1	1	1	1
16	Chamber heater 2000 W	M72059	1	1	1	1	1	1
17	Peristaltic pump	M72087	-	1	1	-	1	1

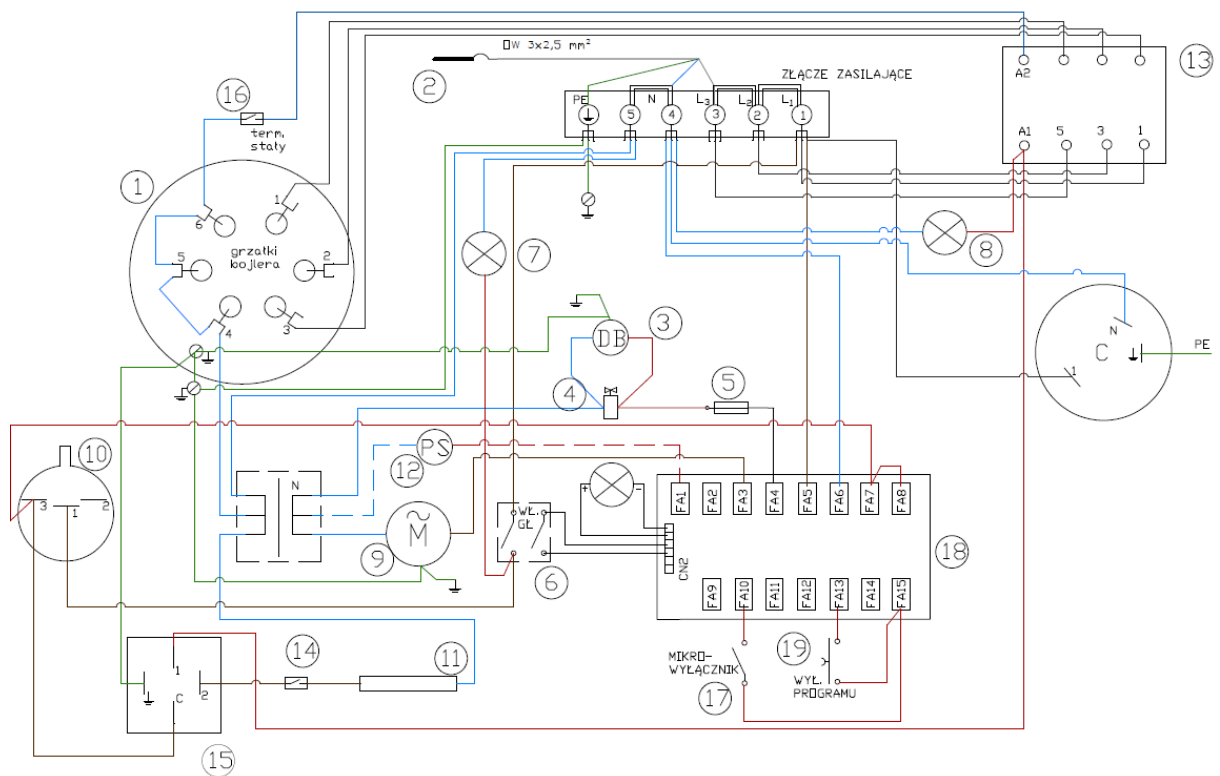
18	Drain pump witch hose-set	M72090	-	-	1	-	-	1
19	Drain pump hose	M90239	-	-	1	-	-	1
20	Water outlet hose	M72077	1	1	-	1	1	-
21	Contactor	M70145	1	1	1	1	1	1
22	Thermostat 90°C	M72065	1	1	1	1	1	1
23	Chamber thermostat 55 °C	M72067	1	1	1	1	1	1
24	Electronics board	M72092	1	1	1	1	1	1
25	Electronic filter 230V	M72014	-	-	-	1	1	1
26	Electronic filter 400V	M72083	1	1	1	-	-	-
27	Terminal 6 pos.	M72037	1	1	1	1	1	1
28	Terminal 1 pos.	M72038	1	1	1	1	1	1
29	Choke	M72150	1	1	1	1	1	1
30	Foot	M72049	4	4	4	4	4	4
31	Drain plug	M72072	1	1	1	1	1	1
32	Drain filter	M72015	1	1	1	1	1	1
33	Door lock	M72061	1	1	1	1	1	1
34	Three-way adapter	M72057	1	1	1	1	1	1
35	Three-way adapter-rinse pump	M72056	1	1	1	1	1	1
36	Rinsing arm	M72024	2	2	2	2	2	2
37	Washing arm	M72023	2	2	2	2	2	2
38	Weight with the filter	M72047	1	2	2	1	2	2
39	Washing arms supply pipe	M72076	1	1	1	1	1	1
40	Water outlet hose	M72073	1	1	1	1	1	1

13. ELECTRICAL SCHEME

1. Electrical scheme for models: 801005, 801006, 801007.



2. Electrical scheme for models: 801015, 801016, 801017.



14. RECYCLING

If you are recycling or disposing of your machine, please ensure this is done in accordance with local and national regulations.

15. DECLARATION OF CONFORMITY



DEKLARACJA ZGODNOŚCI

STALCAST RADOM sp. z o.o.
Staniewicka 5
03-310 Warszawa

Produkt
Zmywarka do naczyń
Model:
801005,801006,801007,801015,801016,801017
Spełnia wymagania opisane w:

Dyrektywach:

2006/95/WE
2004/108/WE
2002/96/WE
2011/65/EU

- LVD urządzenia elektryczne niskonapięciowe
- EMC kompatybilność elektromagnetyczna
- Postępowanie ze zużytym sprzętem
- RoHS w sprawie ograniczenia stosowania niektórych niebezpiecznych substancji w sprzęcie elektrycznym i elektronicznym

Normach:

Norma PN-EN 10088-1:2007

Stale odporne na korozję – Część 1: gatunki stali odporne na korozję

Niskonapięciowy sprzęt elektryczny (LVD)

PN-EN 60335-1:2012

Elektryczny sprzęt do użytku domowego i podobnego --
Bezpieczeństwo użytkownika -- Część 1: Wymagania ogólne (oryg.)

PN-EN 60335-2-58:2010

Elektryczny sprzęt do użytku domowego i podobnego
Bezpieczeństwo użytkownika -- Część 2-58: Wymagania
szczegółowe dotyczące elektrycznych zmywarek do naczyń dla
zakładów zbiorowego żywienia

PN-EN 62233:2008/AC:2008

Metody pomiaru pól elektromagnetycznych elektrycznego sprzętu
do użytku domowego i podobnego

Kompatybilność elektromagnetyczna (EMC)

PN-EN 61000-3-3:2011

Kompatybilność elektromagnetyczna (EMC) -- Część 3-3: Poziomy
dopuszczalne – ograniczanie zmian napięcia, wahań napięcia i
migotania światła w publicznych sieciach zasilających niskiego
napięcia powodowanych przez odbiorniki o fazowym prądzie
znamionowym < lub = 16 A) przyłączone bezwarunkowo

EN 55014-1:2012

Kompatybilność elektromagnetyczna -- Wymagania dotyczące
przyrządów powszechnego użytku, narzędzi elektrycznych i
podobnych urządzeń -- Część 1: Emisja

PN-EN 55014-2:1999/A2:2009

Kompatybilność elektromagnetyczna (EMC) -- Wymagania
dotyczące przyrządów powszechnego użytku, narzędzi
elektrycznych i podobnych urządzeń -- Odporność na zakłócenia
elektromagnetyczne -- Norma grupy wyrobów

oraz

Rozporządzeniu nr 1935/2004 Parlamentu Europejskiego i Rady w sprawie materiałów i wyrobów przeznaczonych do kontaktu z żywnością oraz uchylającym Dyrektywy 80/590/EWG i 89/109/EWG

Dwie ostatnie cyfry roku, w którym naniesiono CE: 11

Deklaracje wystawiono: Radom 04.01.2013

Wystawiający
Stanowisko Pełnomocnik ds. Jakości
Podpis Anna Piotrowska



Wpis do rejestru: XIII Wydział Gospodarczy Krajowego Rejestru Sądowego, KR5 0000384800, NIP 524-273-42-28, Kapitał zakładowy PLN 12.006.000,-



STALGAST Radom sp. z o.o.
Staniewicka 5
03-310 Warszawa

hereby declares:

Type:
DISHWASHER
That item number:
801005, 801006, 801007, 801015, 801016, 801017

Meet the essential requirements as described in the directives:

- | | | |
|-------------|---|---|
| 2006/95/EC | - | Directive Of The European Parliament And Of The Council Of 12 December 2006 On The Harmonisation Of The Laws Of Member States Relating To Electrical Equipment Designed For Use Within Certain Voltage Limits |
| 2004/108/EC | - | Directive Of The European Parliament And Of The Council Of 15 December 2004 On The Approximation Of The Laws Of The Member States Relating To Electromagnetic Compatibility And Repealing Directive 89/336/EC |
| 2002/96/EC | - | DIRECTIVE OF THE EUROPEAN PARLIAMENT AND OF THE COUNCIL of 27 January 2003 on waste electrical and electronic equipment |
| 2011/65/EU | - | DIRECTIVE OF THE EUROPEAN PARLIAMENT AND OF THE COUNCIL of 8 June 2011 on the restriction of the use of certain hazardous substances in electrical and electronic equipment |

Norms:

Low voltage electric equipment (LVD)

- | | | |
|--------------------------|---|--|
| PN-EN 60335-1:2012 | - | Household And Similar Electrical Appliances - Safety - Part 1: General Requirements |
| PN-EN 60335-2-58:2010 | - | Household and similar electrical appliances - Safety - Part 2-58: Particular requirements for commercial electric dishwashing machines |
| PN-EN 62233:2008/AC:2008 | - | Measurement Methods For Electromagnetic Fields Of Household Appliances And Similar Apparatus With Regard To Human Exposure |

Electro Magnetic Compatibility (EMC)

- | | | |
|--------------------------|---|---|
| PN-EN 61000-3-3:2011 | - | Electromagnetic Compatibility (Emc) - Part 3-3: Limits - Limitation Of Voltage Changes, Voltage Fluctuations And Flicker In Public Low-Voltage Supply Systems, For Equipment With Rated Current ≤ 16 A Per Phase And Not Subject To Conditional Connection |
| EN 55014-1:2012 | - | Electromagnetic Compatibility - Requirements For Household Appliances, Electric Tools And Similar Apparatus - Part 1: Emission |
| EN 55014-2: 1999/A2:2009 | - | Electromagnetic Compatibility - Requirements For Household Appliances, Electric Tools And Similar Apparatus - Part 2: Immunity Product Family Standard |

REGULATION (EC) No 1935/2004 OF THE EUROPEAN PARLIAMENT AND OF THE COUNCIL of 27 October 2004 on materials and articles intended to come into contact with food and repealing Directives 80/590/EEG and 89/109/EEG

The last two digits of the year in which the CE marking was affixed CE: 11

Radom, POLAND 04.01.2013
Anna Piotrowska
Quality Assurance Representative

